

B34IMR OPCO Regulator

Commercial Regulator



Dresser ROOTS B34 IMR OPCO (Over Pressure Cut Off) Regulators provide Utilities precise control of natural gas delivery with multiple forms of over pressure protection, eliminating the need to vent natural gas into the atmosphere.

With three (3) methods of over pressure protection, the ROOTS B34 IM OPCO Regulator is designed in such a way to reduce false trips.

- » Secondary Seat/Orifice – utilizing Roots™ IM (Internal Monitor)
- » External vent (optional)
- » OPCO/OPSO Actuator – legacy design with 20+ years in-field experience shutting off gas downstream without releasing gas into the atmosphere

The B34 IMR OPCO Competitive Edge

- » The IM functions similar to an operator/monitor reducing the potential for false trips to take place
- » The IM has a legacy of over 50 years of proven performance
- » Compact set design with reduced leak points and a smaller footprint (compared to traditional operator/monitor set ups)

ROOTS

Model Description

The B34 IMROPCO regulator is a single valve body regulator with built-in monitor operation and over pressure shut off. It features three(3) forms of over pressure protection: the safety advantage of a second gas tight lock-up seat if the normal orifice face and valve seat fail to produce bubble tight lock up, an internal built-in relief mechanism and an over pressure shut off for abnormal failure modes.

- » The B34 IMRVOPCO regulator has the same features of the B34IMROPCO with an additional built-in signal for monitor lock up.
- » The B34IMNOPCO is a non-relief version for applications where relief is not an option.

Features

- » Interchangeable brass orifice
- » 78 in2 of diaphragm area
- » Spring-loaded internal relief valve assembly
- » Field interchangeable adjustment spring
- » Equipped with an OPCO unit for catastrophic failures
- » Available with 1-1/2", 2" screwed & 2" flange connections

Technical Features

Inlet pressure	175 psig
Outlet pressure	4 iwc – 6 psig
Operating temperature	-20°F to 150°F
Acceptable gases	Natural gas, town gas, propane, butane, air, nitrogen, or any non-corrosive gas
Safety devices	Optional built-in safety shut-off valve: Over-pressure shut-off (OPSO) and under-pressure shut-off (UPSO)
Options	Tamper proof sealing Inlet pressure taps

Sizes & Connections

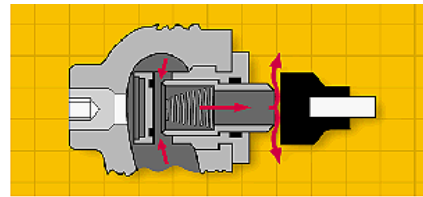
Sizes	1-1/2" to 2" flanged
-------	-----------------------------

Materials

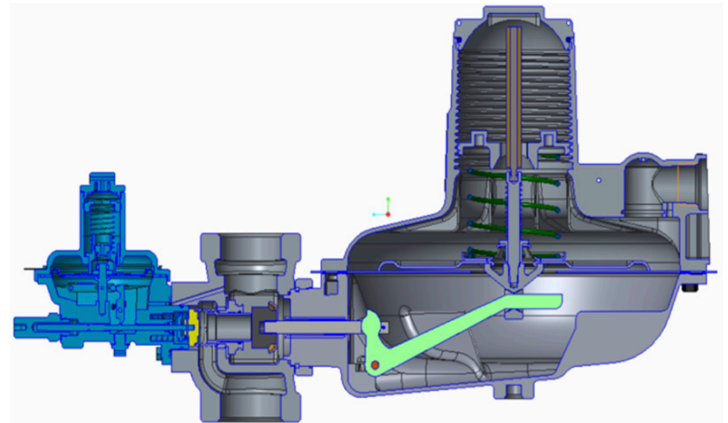
Body	High tensile strength cast iron
OPCO Head	Pressed steel / UNI EN10025
Internal parts & Pilot	Steel, stainless steel, brass and aluminium
Seals	Nitrile rubber
Diaphragm	Synthetic rubber with fabric reinforcement

Benefits

- » ANSI Z21.80/CSA 6.22 certified
- » Offers the most safety features of any commercial regulator
- » Protects equipment from shock damage
- » Large 12" diaphragm for better outlet pressure control
- » Unmatched over pressure protection with three (3) forms of safety



Standard regulator and upstream monitor orifice.



Inlet Pressure Outlet Pressure

ROOTS Regulators

16240 Port Northwest Drive
Houston, TX 77041
T: 1-800-521-1114
F: 1-800-335-5224

© 2024 Natural Gas Solutions North America, LLC – All rights reserved. Dresser Utility Solutions reserves the right to make changes in specifications and features shown herein, or discontinue the product described at any time without notice or obligation. Contact your Dresser Utility Solutions representative for the most current information. The Dresser Logo and all Trademarks containing the term "Dresser" are the property of Dresser, LLC, a subsidiary of Baker Hughes.

